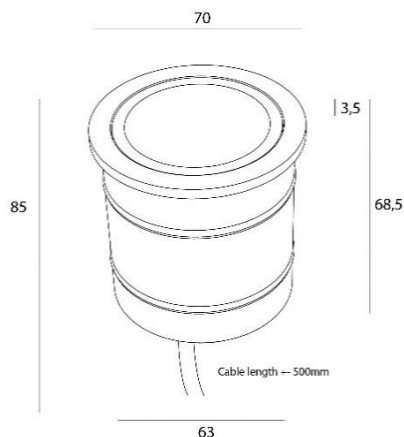


Pol M Round



Light Specs

Lamp	LED
Optic	Lens
Driver	Excluded
IP	65
Voltage	350mA / 230V
Class	III / I
length	70mm
width	70mm
height	85mm
Cut Out	65mm

Luminaire output

	2700K	3000K
230V (4W) Phase dim	340lm	352lm
230V (6W) Phase dim	432lm	450lm
350mA (6,2W)	912lm	953lm

Order number

2700K	12°	24°	40°	60°
Black Anodised (4W)	6001 RL1178 BA	6001 RL1278 BA	6001 RL1478 BA	6001 RL1678 BA
Natural Anodised (4W)	6001 RL1178 NA	6001 RL1278 NA	6001 RL1478 NA	6001 RL1678 NA
Bronze Anodised (4W)	6001 RL1178 BS	6001 RL1278 BS	6001 RL1478 BS	6001 RL1678 BS
Black Anodised (6W)	6001 RL2178 BA	6001 RL2278 BA	6001 RL2478 BA	6001 RL2678 BA
Natural Anodised (6W)	6001 RL2178 NA	6001 RL2278 NA	6001 RL2478 NA	6001 RL2678 NA
Bronze Anodised (6W)	6001 RL2178 BS	6001 RL2278 BS	6001 RL2478 BS	6001 RL2678 BS
Black Anodised (6,2W)	6001 RL3178 BA	6001 RL3278 BA	6001 RL3478 BA	6001 RL3678 BA
Natural Anodised (6,2W)	6001 RL3178 NA	6001 RL3278 NA	6001 RL3478 NA	6001 RL3678 NA
Bronze Anodised (6,2W)	6001 RL3178 BS	6001 RL3278 BS	6001 RL3478 BS	6001 RL3678 BS

Order number

3000K

	12°	24°	40°	60°
Black Anodised (4W)	6001 RL1138 BA	6001 RL1238 BA	6001 RL1438 BA	6001 RL1638 BA
Natural Anodised (4W)	6001 RL1138 NA	6001 RL1238 NA	6001 RL1438 NA	6001 RL1638 NA
Bronze Anodised (4W)	6001 RL1138 BS	6001 RL1238 BS	6001 RL1438 BS	6001 RL1638 BS
Black Anodised (6W)	6001 RL2138 BA	6001 RL2238 BA	6001 RL2438 BA	6001 RL2638 BA
Natural Anodised (6W)	6001 RL2138 NA	6001 RL2238 NA	6001 RL2438 NA	6001 RL2638 NA
Bronze Anodised (6W)	6001 RL2138 BS	6001 RL2238 BS	6001 RL2438 BS	6001 RL2638 BS
Black Anodised (6,2W)	6001 RL3138 BA	6001 RL3238 BA	6001 RL3438 BA	6001 RL3638 BA
Natural Anodised (6,2W)	6001 RL3138 NA	6001 RL3238 NA	6001 RL3438 NA	6001 RL3638 NA
Bronze Anodised (6,2W)	6001 RL3138 BS	6001 RL3238 BS	6001 RL3438 BS	6001 RL3638 BS